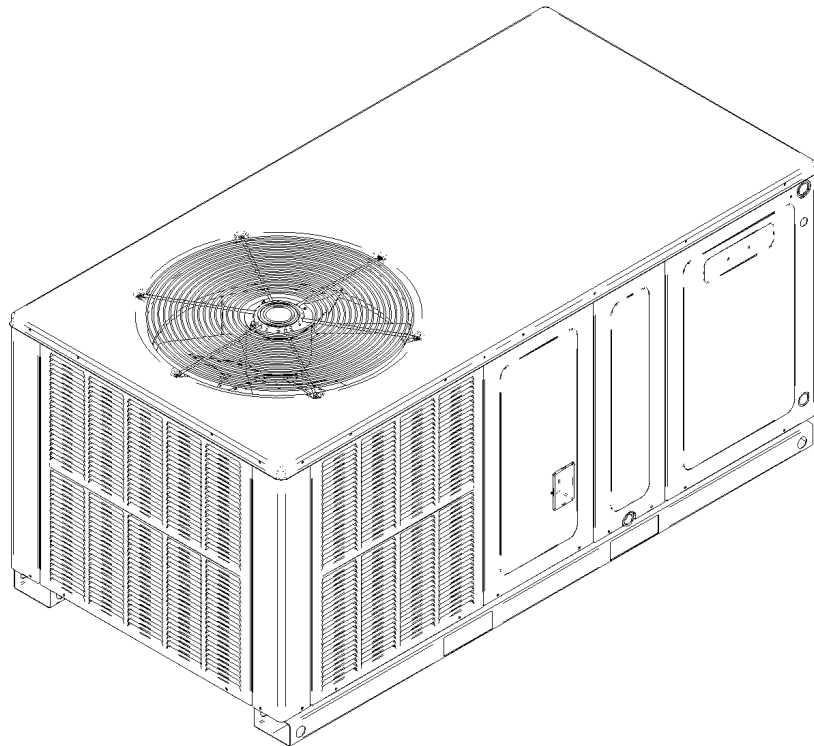


REPAIR PARTS

GPC14 H-SERIES R-410A Package Coolers

GPC1424H41AA
GPC1430H41AA
GPC1436H41AA
GPC1442H41AA
GPC1448H41AA
GPC1460H41AA



This manual is to be used by qualified technicians only.

© 2009 Goodman Manufacturing Company, L.P. ♦ 5151 San Felipe, Suite 500 ♦ Houston, TX 77056

Important Information

Index

Functional Parts List	3
Illustration and Parts	4 - 13

Views shown are for parts illustrations only, not servicing procedures.

This system uses R410A refrigerant. If sealed system work is required, use approved equipment and follow service procedures. Refer to Service Manual or Installation Instructions for service procedures.

Text Codes:

AR - As Required

NA - Not Available

NS - Not Shown

00000000 - See Note

QTY - Quantity Example (QTY 3) (If Quantity not shown, Quantity = 1)

M - Model Example (M1) (If M Code not shown, then part is used on all Models)

Expanded Model Nomenclature:

Example M1 - Model#1 M2 - Model#2 M3 - Model#3

Goodman Manufacturing Company, L.P. is not responsible for personal injury or property damage resulting from improper service. Review all service information before beginning repairs.

Warranty service must be performed by an authorized technician, using authorized factory parts. If service is required after the warranty expires, Goodman Manufacturing Company, L.P. also recommends contacting an authorized technician and using authorized factory parts.

Goodman Manufacturing Company, L.P. reserves the right to discontinue, or change at any time, specifications or designs without notice or without incurring obligations.

For assistance within the U.S.A. contact:
Consumer Affairs Department
Goodman Manufacturing Company, L.P.
7401 Security Way
Houston, Texas 77040
877-254-4729-Telephone
713-863-2382-Facsimile

For assistance outside the U.S.A. contact:
International Division
Goodman Manufacturing Company, L.P.
7401 Security Way
Houston, Texas 77040
713-861-2500-Telephone
713-863-2382-Facsimile

Functional Parts

Part

No: Description:

CAP050400370RSS	CAPACITOR 5/40/370V [CONTROL BOX] (M1, M2)
CAP050450370RSS	CAPACITOR 5/45/370V [CONTROL BOX] (M3, M4, M5)
CAP050700370RTS	CAPACITOR 5/70/370V (M6)
CP18K8EPFV805	COMPRESSOR 18000, 208/230/60/1 (M1)
CP21K8EPFV805	COMPRESSOR 21000, 208/230/60/1 (M2)
ZP31K5EPFV830	COMPRESSOR 31100, 208/230/60/1 (M3)
ZP34K5EPFV830	COMPRESSOR 34500, 208/230/60/1 (M4)
ZP39K5EPFV830	COMPRESSOR 39000, 208/230/60/1 (M5)
ZP51K5EPFV830	COMPRESSOR 51000, 208/230/60/1 (M6)
CONT2P025024VS	CONTACTOR 25 AMP, 2P, 24V (M1, M2, M3)
CONT2P030024VS	CONTACTOR 30 AMP, 2P, 24V (M4, M5)
CONT2P040024VS	CONTACTOR 40 AMP, 2P, 24V (M6)
0130G00006	CUT-OUT SWITCH, HIGH PRESSURE
B1141643	TRANSFORMER 208/230, 24V

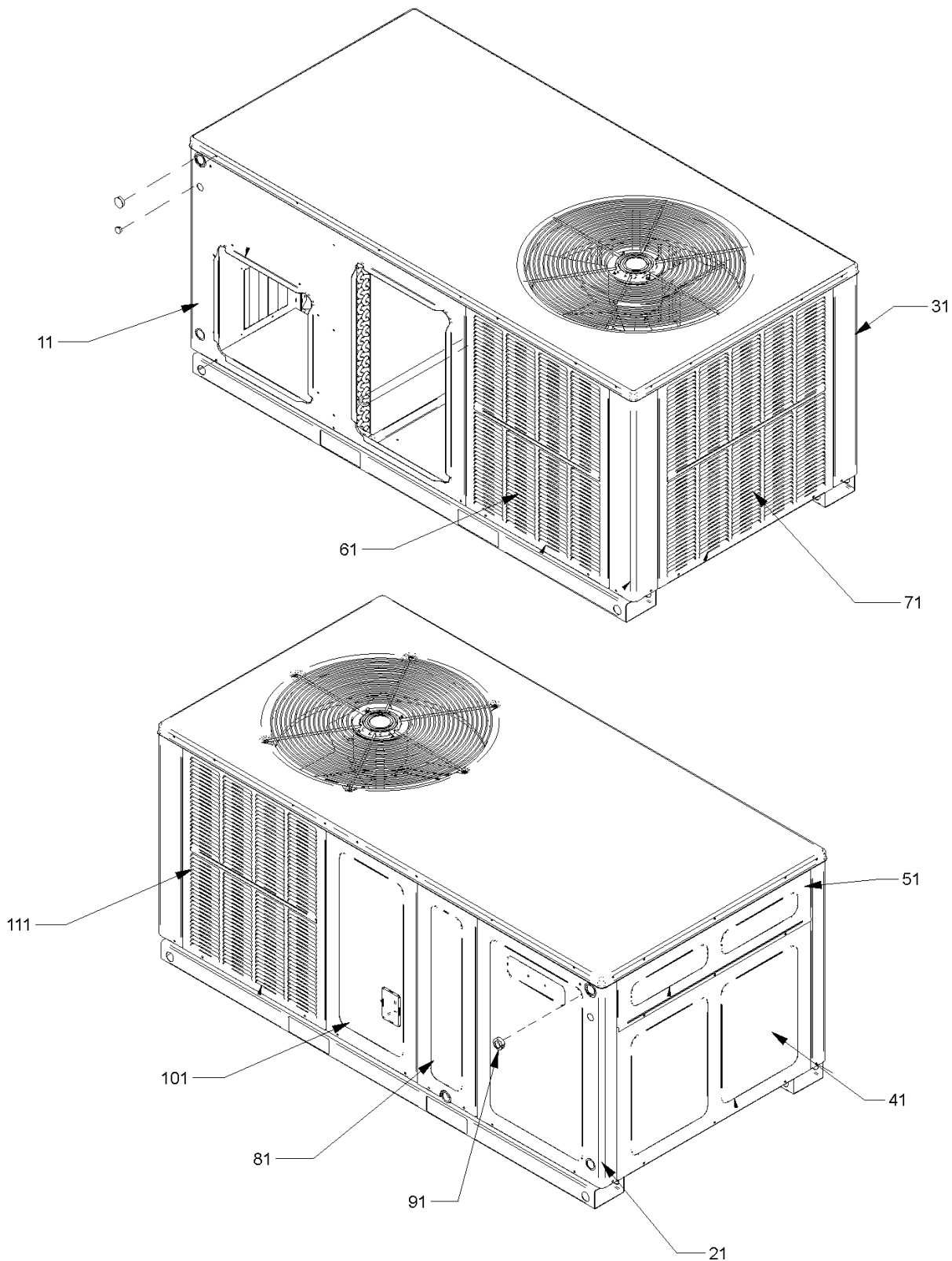
SPECIAL PARTS

IO-352A	INSTALLATION INSTRUCTIONS
RP-567	REPAIR PARTS MANUAL
B1757910	SUPPLEMENTAL INSERT (EBTDR)

Expanded Model Nomenclature

M1 - GPC1424H41AA
M2 - GPC1430H41AA
M3 - GPC1436H41AA
M4 - GPC1442H41AA
M5 - GPC1448H41AA
M6 - GPC1460H41AA

Cabinet



Cabinet

Ref. Part No: No:	Description:	Ref. Part No: No:	Description:
-------------------	--------------	-------------------	--------------

Image 1:

11	0270G00008PS	INSULATED ASSY, DUCT PANEL 27.5" (M1, M2, M3)
11	0270G00009PS	INSULATED ASSY, DUCT PANEL 32.5" (M4)
11	0270G00010PS	INSULATED ASSY, DUCT PANEL 36" (M5, M6)
21	0270G00011PS	INSULATED ASSY, CORNER PANEL 27.5" (M1, M2, M3)
21	0270G00012PS	INSULATED ASSY, CORNER PANEL 32.5" (M4)
21	0270G00013PS	INSULATED ASSY, CORNER PANEL 36" (M5, M6)
31	0121G00047PDGS	CORNER POST 27.5" (M1, M2, M3)
31	0121G00048PDGS	CORNER POST 32.5" (M4)
31	0121G00082PDGS	CORNER POST 36" (M5, M6)
41	0270G00113S	INSULATED ASSY, BLOWER DOOR 27.5" (M1, M2, M3)
41	0270G00114S	INSULATED ASSY, BLOWER DOOR 32.5" (M4)
41	0270G00115S	INSULATED ASSY, BLOWER DOOR 36" (M5, M6)
51	0121G00276DGS	EXTERNAL CONTROL BOX PANEL
61	0121G00069PDG	LOUVERED PANEL 4 BANK 27.5" (M1, M2, M3)
61	0121G00070PDGS	LOUVERED PANEL 4 BANK 32.5" (M4)
61	0121G00090PDG	LOUVERED PANEL 4 BANK 36" (M5, M6)
71	0121G00072PDGS	LOUVERED PANEL 5 BANK 27.5" (M1, M2, M3)
71	0121G00073PDGS	LOUVERED PANEL 5 BANK 32.5" (M4)
71	0121G00091PDGS	LOUVERED PANEL 5 BANK 36" (M5, M6)
81	0270G00017PS	INSULATED ASSY, EVAP PANEL 27.5" (M1, M2, M3)
81	0270G00018PS	INSULATED ASSY, EVAP PANEL 32.5" (M4)
81	0270G00019PS	INSULATED ASSY, EVAP PANEL 36" (M5, M6)
91	B1392012	GROMMET / HS 1.0 - .79
101	0121G00062PDG	COMPRESSOR PANEL 13.68" X 27.50" (M1, M2, M3)
101	0121G00060PDG	COMPRESSOR PANEL 8.75" X 32.50" (M4)
101	0121G00087PDG	COMPRESSOR PANEL 8.75" X 36" (M5, M6)
111	0121G00069PDG	LOUVERED PANEL 4 BANK 27.5" (M1, M2, M3)
111	0121G00073PDGS	LOUVERED PANEL 5 BANK 32.5" (M4)
111	0121G00091PDGS	LOUVERED PANEL 5 BANK 36" (M5, M6)

Expanded Model Nomenclature

M1 - GPC1424H41AA
M2 - GPC1430H41AA
M3 - GPC1436H41AA
M4 - GPC1442H41AA
M5 - GPC1448H41AA
M6 - GPC1460H41AA

Chassis

Image 1

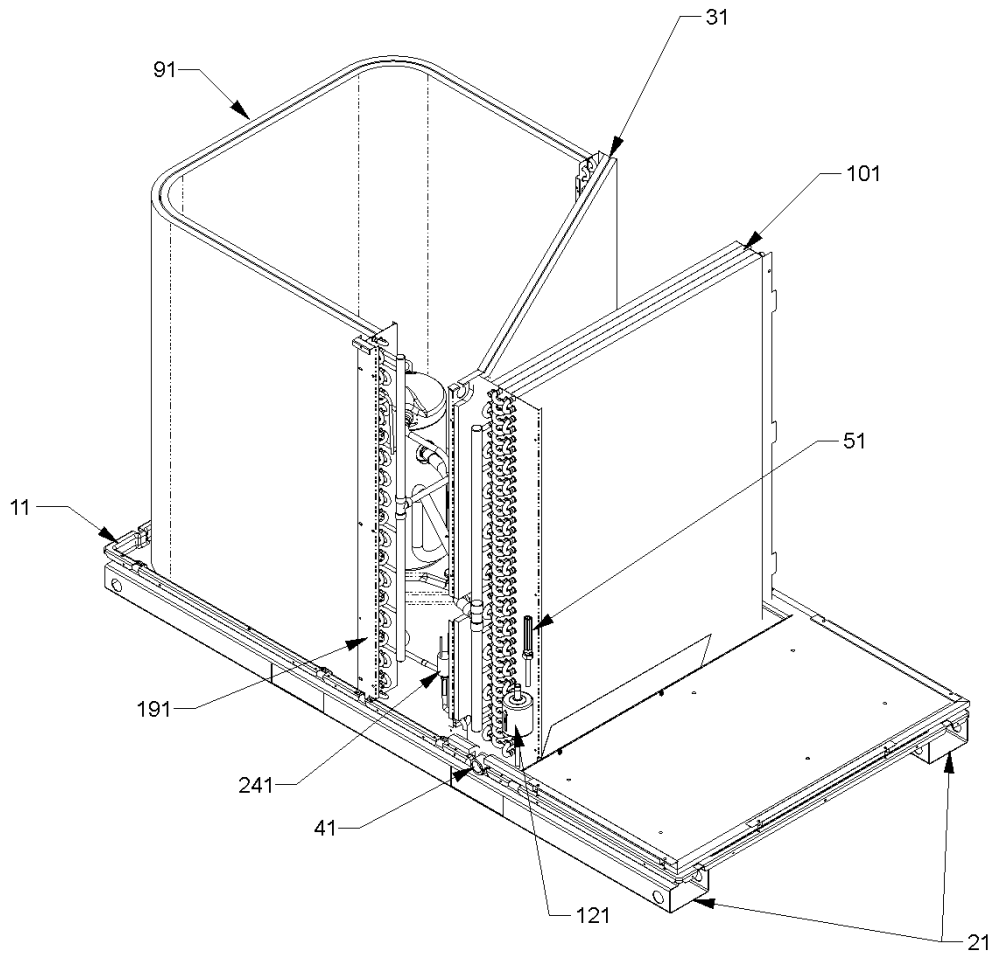
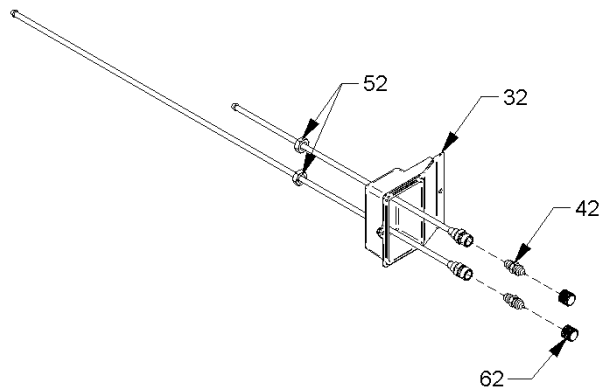


Image 2



Chassis

Ref. Part No:	No:	Description:	Ref. Part No:	No:	Description:
<i>Image 1:</i>			Expanded Model Nomenclature		
11	0121G00046PS	INSULATED ASSY, BASEPAN	M1	-	GPC1424H41AA
21	0121G00044PRF	BASEPAN RAIL (QTY 2)	M2	-	GPC1430H41AA
31	0270G00075	INSULATED ASSY, PARTITION PANEL 27.5" (M1, M2, M3)	M3	-	GPC1436H41AA
31	0270G00076	INSULATED ASSY, PARTITION PANEL 32.5" (M4)	M4	-	GPC1442H41AA
31	0270G00077	INSULATED ASSY, PARTITION PANEL 36" (M5, M6)	M5	-	GPC1448H41AA
41	0270G00004PS	DRAIN PAN ASSY	M6	-	GPC1460H41AA
51	0162M00111S	FLOWRATOR .057 [EVAP] (M1)			
51	0162M00061	FLOWRATOR .065 [EVAP] (M2, M3)			
51	0162M00109S	FLOWRATOR .072 [EVAP] (M4)			
51	0162M00019P	FLOWRATOR .076 [EVAP] (M5)			
51	0162M00093	FLOWRATOR .088 [EVAP] (M6)			
91	0201G00121S	TUBING ASSY, COND COIL (M5)			
91	0201G00128S	TUBING ASSY, COND COIL (M3)			
91	0201G00130S	TUBING ASSY, COND COIL (M1, M2)			
101	0202G00300	TUBING ASSY, EVAP COIL (M1)			
101	0202G00302	TUBING ASSY, EVAP COIL (M6)			
101	0202G00304	TUBING ASSY, EVAP COIL (M5)			
101	0202G00306	TUBING ASSY, EVAP COIL (M4)			
101	0202G00308	TUBING ASSY, EVAP COIL (M3)			
101	0202G00310S	TUBING ASSY, EVAP COIL (M2)			
121	B1219212	SINGLE-FLOW FILTER DRIER, STEEL (M1, M2, M3)			
121	B1219225	SINGLE-FLOW FILTER DRIER, STEEL (M4, M5, M6)			
191	0121G00045P	POST 27.5" (M1, M2, M3)			
191	0121G00079P	POST 32.5" (M4)			
191	0121G00083P	POST 36" (M5, M6)			
241	0130G00006	CUT-OUT SWITCH, HIGH PRESSURE			
NS	0121G00043P	EVAP DRIP SHIELD			
NS	0162M00016PS	FLOWRATOR .055 [COND] (M1, M2)			
NS	0162M00098S	FLOWRATOR .065 [COND] (M4)			
NS	0162M00012P	FLOWRATOR .071 [COND] (M6)			
NS	0210G00008P	PROCESS TUBING ASSY			
<i>Image 2:</i>					
32	0161G00001P	ACCESS FITTING BOX			
42	B1373315	ACCESS FITTING (QTY 2)			
52	0163G00000P	FASTEST FITTING NUT (QTY 2)			
62	B9102097	CAP W/O-RING (QTY 2)			
NS	0210G00030P	PROCESS TUBE ASSY-LIQUID			
NS	0210G00031P	PROCESS TUBE ASSY-SUCTION			

Compressor and Top Panel Assy

Image 1

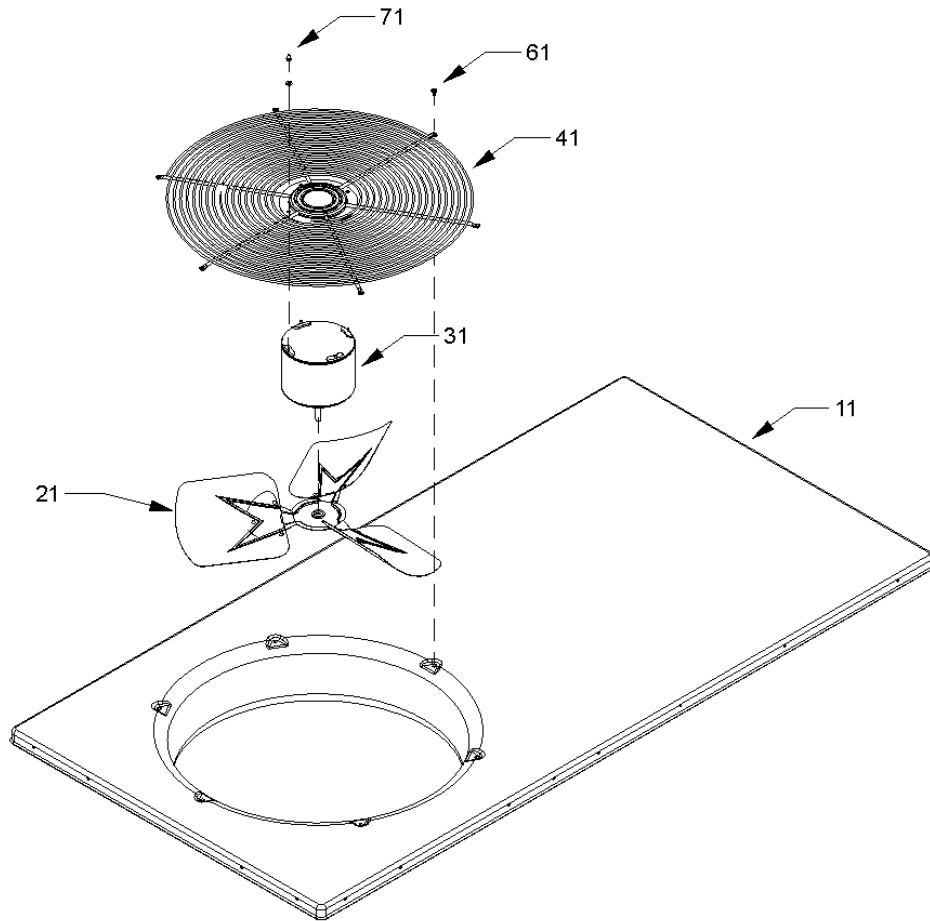


Image 2

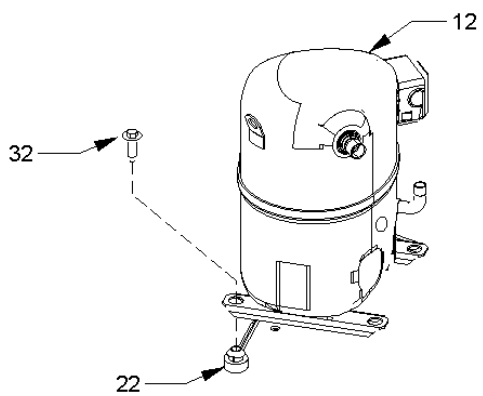
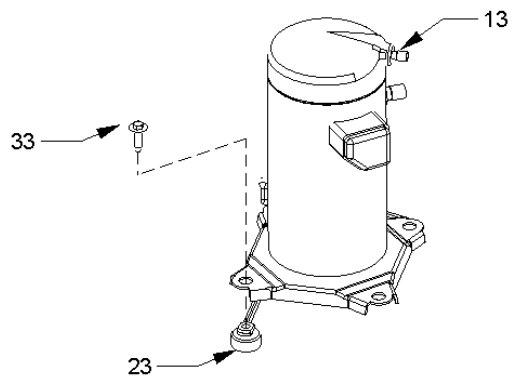


Image 3



Compressor and Top Panel Assy

Ref. Part No: No:	Description:	Ref. Part No: No:	Description:
-------------------	--------------	-------------------	--------------

Image 1:

11	0274G00037	INSULATED ASSY, TOP PANEL
21	0150G00001S	FAN BLADE (M4, M5, M6)
21	B1086775S	FAN BLADE (M1)
21	0150G00002S	FAN BLADE SWEPT-WING (M2)
21	B1086765S	FAN BLADE TYPE 3 (M3)
31	0131M00007PS	COND MOTOR 1/4 HP, 1 SP, 6 PL (M4, M5, M6)
31	0131M00014PS	COND MOTOR 1/4 HP, 1 SP, 8 PL (M2, M3)
31	0131M00009PS	COND MOTOR 1/6 HP, 1 SP, 8 PL (M1)
41	0152G00002S	FAN GRILLE
61	M0221817	SMALL SCREW (QTY 6)
71	0163M00006P	ACORN NUT 5/16 HEX BLACK (QTY 4)
NS	17788000083F	PVC CONDUIT 8.25"

Image 2:

12	CP18K8EPFV805	COMPRESSOR 18000, 208/230/60/1 (M1)
12	CP21K8EPFV805	COMPRESSOR 21000, 208/230/60/1 (M2)
22	B1339530	COMPRESSOR GROMMET (M1, M2)
32	M0221641	TF SHOULDER SCREW (M1, M2)
NS	0159G00004	COMPRESSOR SCROLL HARNESS

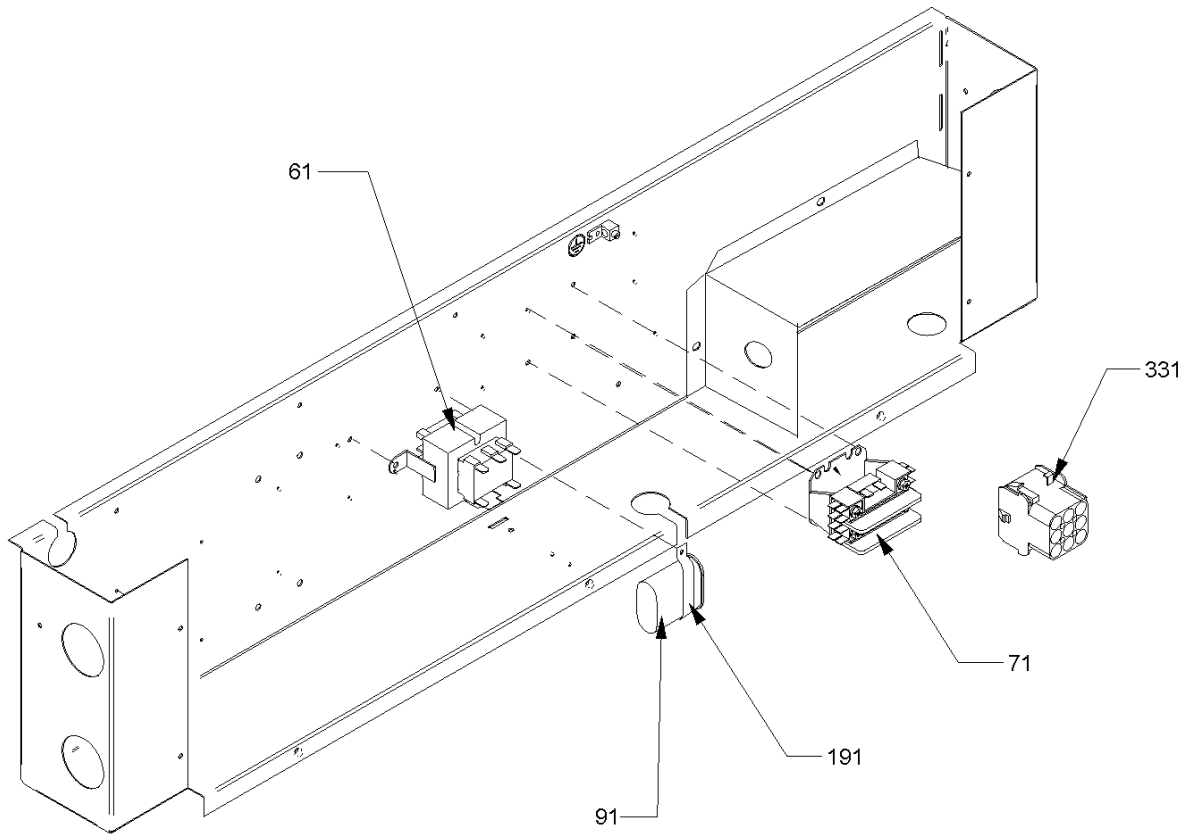
Image 3:

13	ZP31K5EPFV830	COMPRESSOR 31100, 208/230/60/1 (M3)
13	ZP34K5EPFV830	COMPRESSOR 34500, 208/230/60/1 (M4)
13	ZP39K5EPFV830	COMPRESSOR 39000, 208/230/60/1 (M5)
13	ZP51K5EPFV830	COMPRESSOR 51000, 208/230/60/1 (M6)
23	B1339533	COMPRESSOR GROMMET (M3, M4, M5, M6)
33	M0221641	TF SHOULDER SCREW (M3, M4, M5, M6)

Expanded Model Nomenclature

M1 - GPC1424H41AA
M2 - GPC1430H41AA
M3 - GPC1436H41AA
M4 - GPC1442H41AA
M5 - GPC1448H41AA
M6 - GPC1460H41AA

Control Box Assy



Control Box Assy

Ref. Part No:	No:	Description:	Ref. Part No:	No:	Description:
---------------	-----	--------------	---------------	-----	--------------

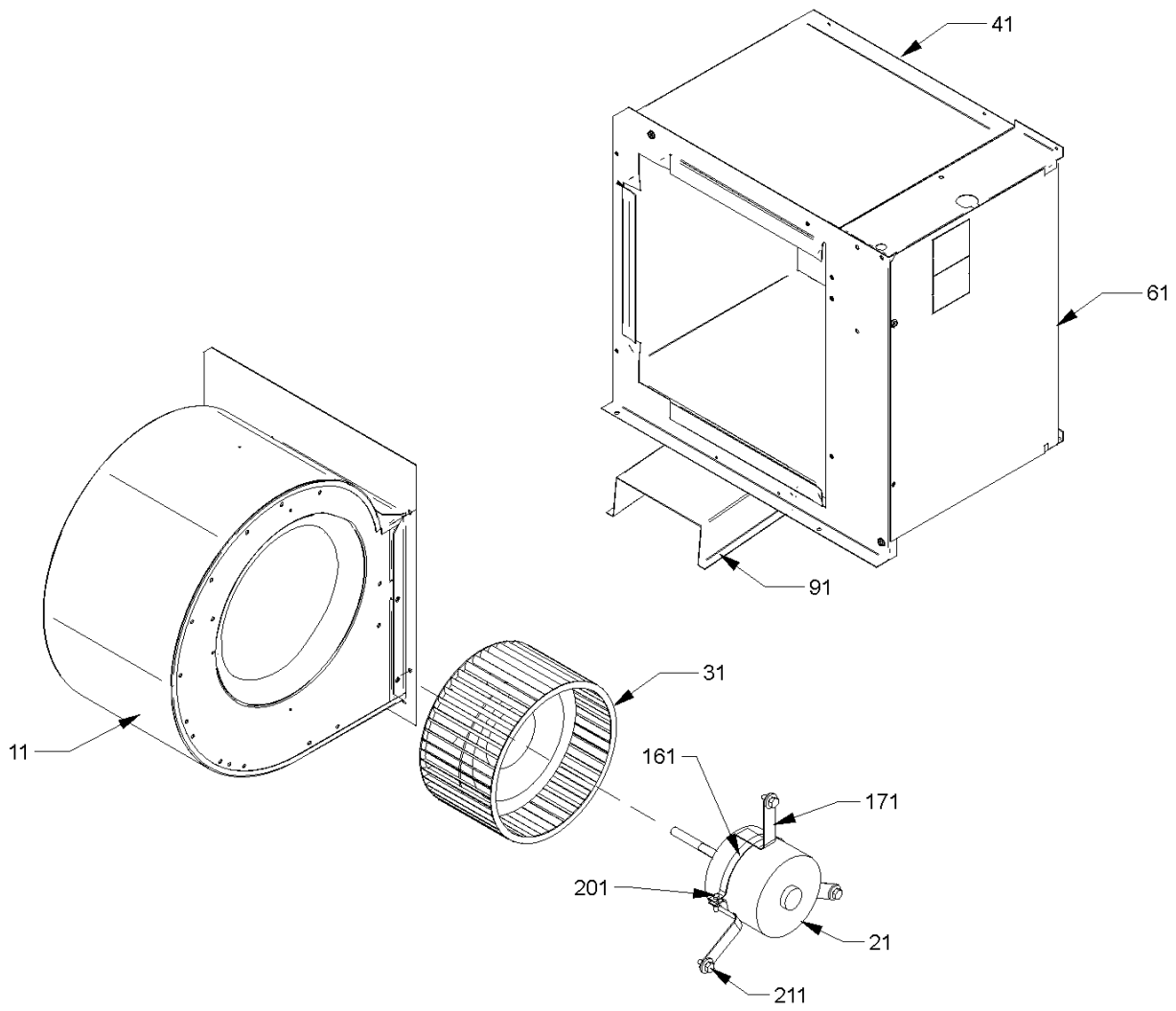
Image 1:

11	10324248	BLOWER HOUSING 10 X 8 (M1, M2, M3, M4, M5)
61	B1141643	TRANSFORMER 208/230, 24V
71	CONT2P025024VS	CONTACTOR 25 AMP, 2P, 24V (M1, M2, M3)
71	CONT2P030024VS	CONTACTOR 30 AMP, 2P, 24V (M4, M5)
71	CONT2P040024VS	CONTACTOR 40 AMP, 2P, 24V (M6)
91	CAP050400370RSS	CAPACITOR 5/40/370V [CONTROL BOX] (M1, M2)
91	CAP050450370RSS	CAPACITOR 5/45/370V [CONTROL BOX] (M3, M4, M5)
91	CAP050700370RTS	CAPACITOR 5/70/370V (M6)
191	20520901	CAPACITOR STRAP
331	0259G00021	WIRE HARNESS, ELECTRIC HEAT

Expanded Model Nomenclature

- M1 - GPC1424H41AA
- M2 - GPC1430H41AA
- M3 - GPC1436H41AA
- M4 - GPC1442H41AA
- M5 - GPC1448H41AA
- M6 - GPC1460H41AA

Blower Assy



Blower Assy

Ref. Part No:	Ref. Part No:	Description:	Description:
---------------	---------------	--------------	--------------

Image 1:

11	0271G00017	BLOWER HOUSING 11 X 8 (M6)
21	0231K00039	BLOWER MOTOR 3/4 HP PROGRAMMED X13 (M5, M6)
21	0131M00133S	BLOWER MOTOR, 1/2 HP PROGRAMMED X13 (M1)
21	0131M00134S	BLOWER MOTOR, 1/2 HP PROGRAMMED X13 (M2)
21	0131M00135S	BLOWER MOTOR, 1/2 HP PROGRAMMED X13 (M3)
21	0131M00136S	BLOWER MOTOR, 1/2 HP PROGRAMMED X13 (M4)
31	B1368016S	BLOWER WHEEL 10 X 8 (M1, M2, M3, M4, M5)
31	B1368054	BLOWER WHEEL 11 X 8 (M6)
41	0270G00025PS	TRANSITION DUCT ASSY
61	0121G00039PS	HEATER KIT COVER
91	0121G00040P	BLOWER SUPPORT
161	0121M00038	MOTOR MOUNT BAND
171	B1376853	MOTOR MOUNT ARM (M1, M2, M3, M4, M5)
171	B1376857	MOTOR MOUNT ARM (M6)
201	B1393323	MACHINE SCREW HWH 1/4-20 X 1-1/2 BZ
211	M0250565	TC SCREW 1.25" (QTY 3)
NS	C6121810	BLOWER CUT-OFF (M1, M2, M3, M4, M5)
NS	2964700	BLOWER CUT-OFF 11 X 8 (M6)

Expanded Model Nomenclature

M1 - GPC1424H41AA
M2 - GPC1430H41AA
M3 - GPC1436H41AA
M4 - GPC1442H41AA
M5 - GPC1448H41AA
M6 - GPC1460H41AA

